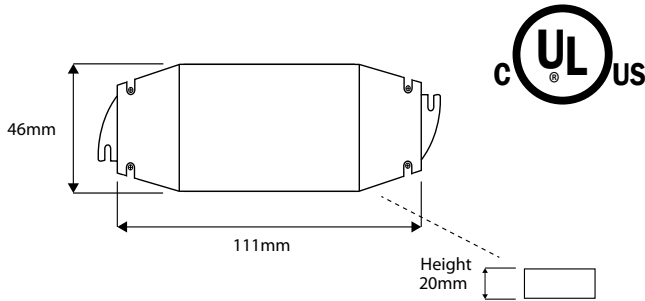


LED Power supply

15W



Technical data

- Short circuit and overload protection
- Indoor use only
- Surface mountable
- Easy installation
- Protection: **Class 2**
- Hardwire compatible

Product SKU	LS-15W-Driver
Input	100 - 230V AC
Output	12V DC
Wattage	15W max
Wire lead length	Plug input 6ft wire Output 6" wire
Dimensions	L111 x W46 x H20mm L4.37 x W1.81 x H0.79in

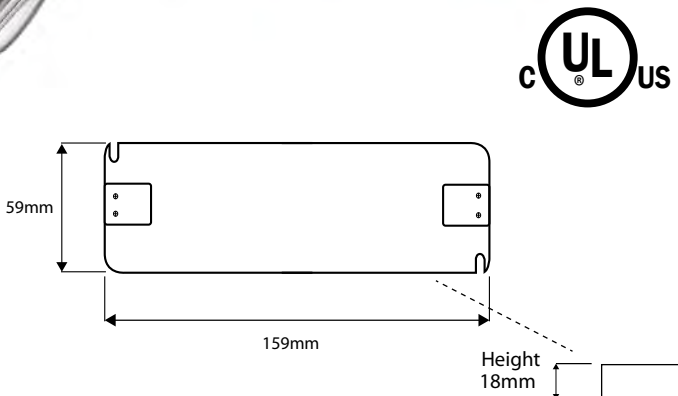
Note: Hardwire compatible

Applications

Used with 12V DC Products:

- Cabinet Lighting
- Linear lighting
- Flexible strip lighting
- Signage lighting

30W



Product SKU	LS-30W-Driver
Input	100 - 230V AC
Output	12V DC
Wattage	30W max
Wire lead length	Plug input 6ft wire Output 6" wire 135mm
Dimensions	L 6.26 x W2.3 x H0.71in L159 x W59 x H18mm

Note: Hardwire compatible